

REMOTE MOUNTED VAPOR ACTUATED DIAL THERMOMETER - 4 1/2" DIAL MODEL VR45P

STANDARD FEATURES

- 4 1/2" dial size
- Glass reinforced Phenolic case
- Stainless steel snap ring
- Glass lens
- Aluminum dial, white finish, black markings
- Progressive graduations offer ideal reading in the upper two thirds of the range
- For standard ranges see page 23
- Adjustable pointer
- Precision geared brass movement
- + or 1 scale division accuracy
- 5ft. bronze braided capillary tubing standard. Additional tubing lengths and materials available
- Brass thermowell, 1/2" NPT standard. 2" "U" dimension below thread. Additional sizes, threads and materials available. See page 23.



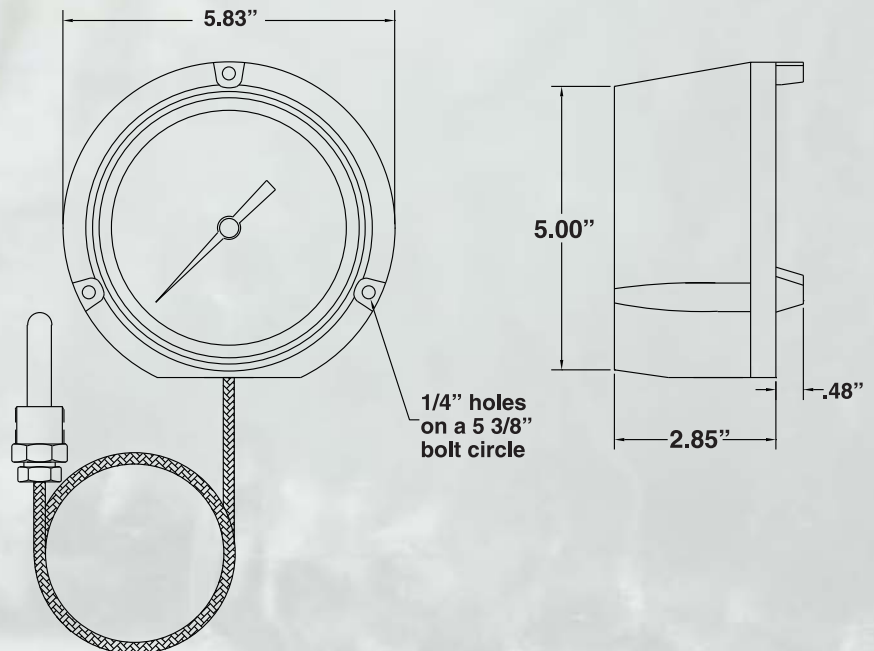
MODEL VR45P

STANDARD RANGES

| CODE | FAHRENHEIT |
|------|------------|
| 01 | -40/65F |
| 02 | -20/120F |
| 03 | 20/220F |
| 04 | 30/300F |

| CODE | CELSIUS |
|------|---------|
| 05 | -40/20C |
| 06 | 0/100C |

| CODE | DUAL SCALE F & C |
|------|--------------------|
| 07 | -40/65F & -40/20C |
| 08 | -20/120F & -30/50C |
| 09 | 20/220F & 0/105C |
| 10 | 30/300F & 0/150C |



HOW TO ORDER - PLEASE SPECIFY THE FOLLOWING:

| MODEL # | RANGE CODE | TUBING LENGTH | IMMERSION LENGTH | THERMOWELL CATALOG NO. |
|--------------|-----------------------------------|--|------------------------------------|------------------------|
| VR45P | 2 digit code from table | 05 = 5 FT. 10 = 10 FT. ETC. | 2 = 2" 4 = 3 1/2" | See Page 23 |